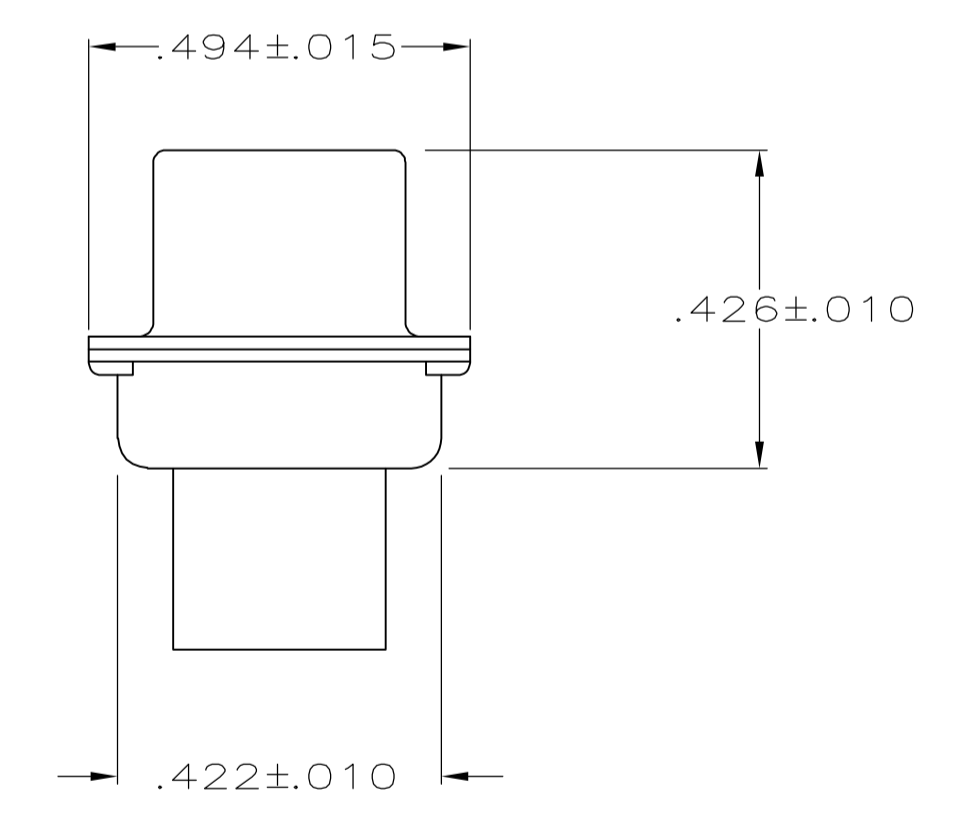
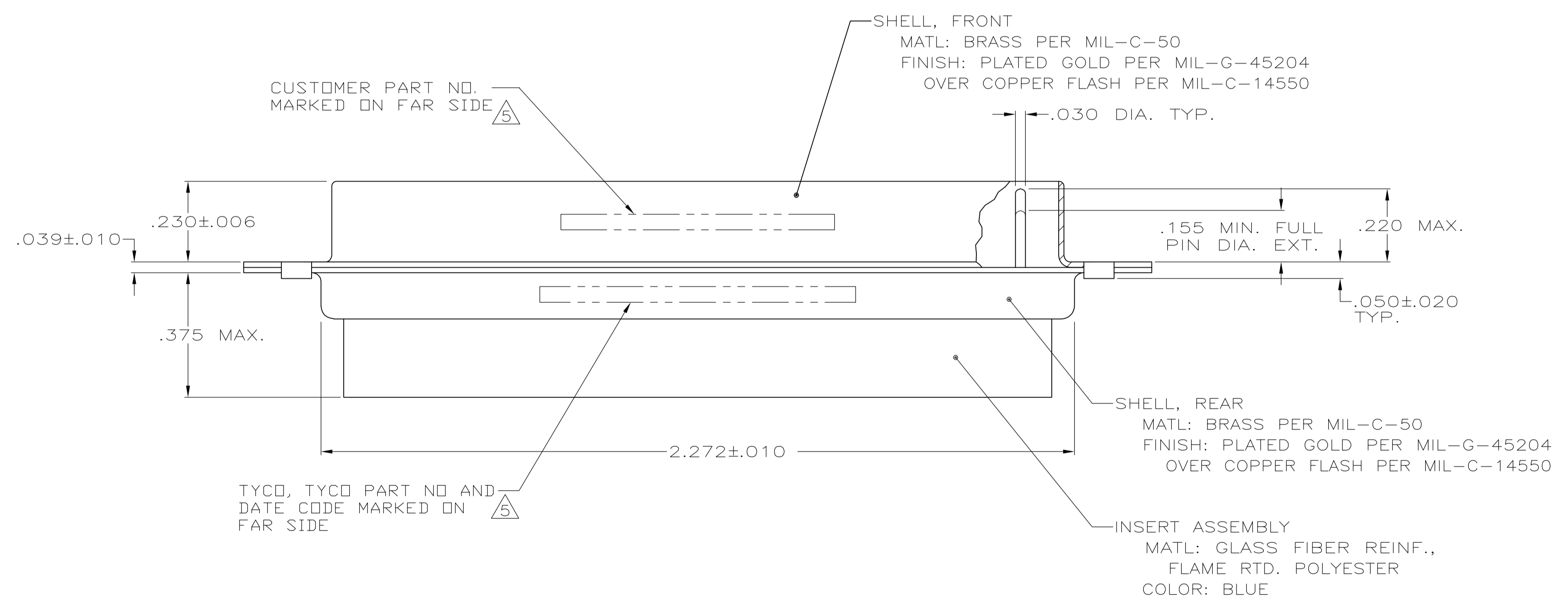


- ⚠ THIS PLUG WILL MATE WITH ANY RECEPTACLE CONNECTOR WITH THE SAME INSERT ARRANGEMENT AS DEFINED BY MS18275-1.
- 2. MAXIMUM WIRE INSULATION TO BE USED WITH THIS PLUG IS .072 DIA.
- 3. BERYLLIUM COPPER RETENTION CLIPS (37) ARE INCLUDED IN INSERT ASSEMBLY.
- 4. CONNECTOR SUPPLIED WITHOUT CONTACTS; SHOWN FOR ILLUSTRATION ONLY.
- ⚠ FAR SIDE REFERS TO WIDE SIDE OF KEYSTONE.
- ⚠ THESE CONNECTORS ARE QUALIFIED TO GODDARD SPACE FLIGHT CENTER SPECIFICATION S-311-P-4.
- ⚠ UL/CSA DESIGNATION STAMPED IN THIS AREA, OPTIONAL.
- ⚠ RESTRICTED TO CAE ELECTRONICS ONLY.



OBSOLETE	8/6	.120	570513-9	206802-6	206802-6
	8/6	.120	311P409-4P-B-12	206802-2	206802-5
	8/6	.120	122137P37P	206802-4	206802-4
	6/6	.154	-	206802-3	206802-3
	6/6	.120	311P409-4P-B-12	206802-2	206802-2
	6/6	.154	311P409-4P-B-15	206802-1	206802-1
REMARKS	DIA A	MARKED CUSTOMER P/N	MARKED AMP P/N	AMP P/N	

THIS DRAWING IS A CONTROLLED DOCUMENT.		DWG: TWIEST 12-9-88	AMP Tyco Electronics Corporation Harrisburg, PA 17105-3608	
DIMENSIONS: INCHES		CHK: F. BALLEW 1-26-88		
TOLERANCES UNLESS OTHERWISE SPECIFIED:		APVD: F. BALLEW 1-26-88	NAME: PLUG FOR PIN CONTACTS HI-DENSITY, HDM CONNECTOR, SIZE 4, (37 POSITION)	
0 PLC ± -		PRODUCT SPEC	APPLICATION SPEC	
1 PLC ± -		SIZE	SCALE 4:1	
2 PLC ± -		WEIGHT	SHEET 1 OF 1	
3 PLC ± .005		RESTRICTED TO	REV J	
4 PLC ± -		CUSTOMER DRAWING	A1 00779 ©=206802	
ANGLES ± -		SCALE	4:1	
FINISH SEE CALLOUTS		CUSTOMER DRAWING		